

TOGETHER  
WE  
CREATE OUR  
FUTURE

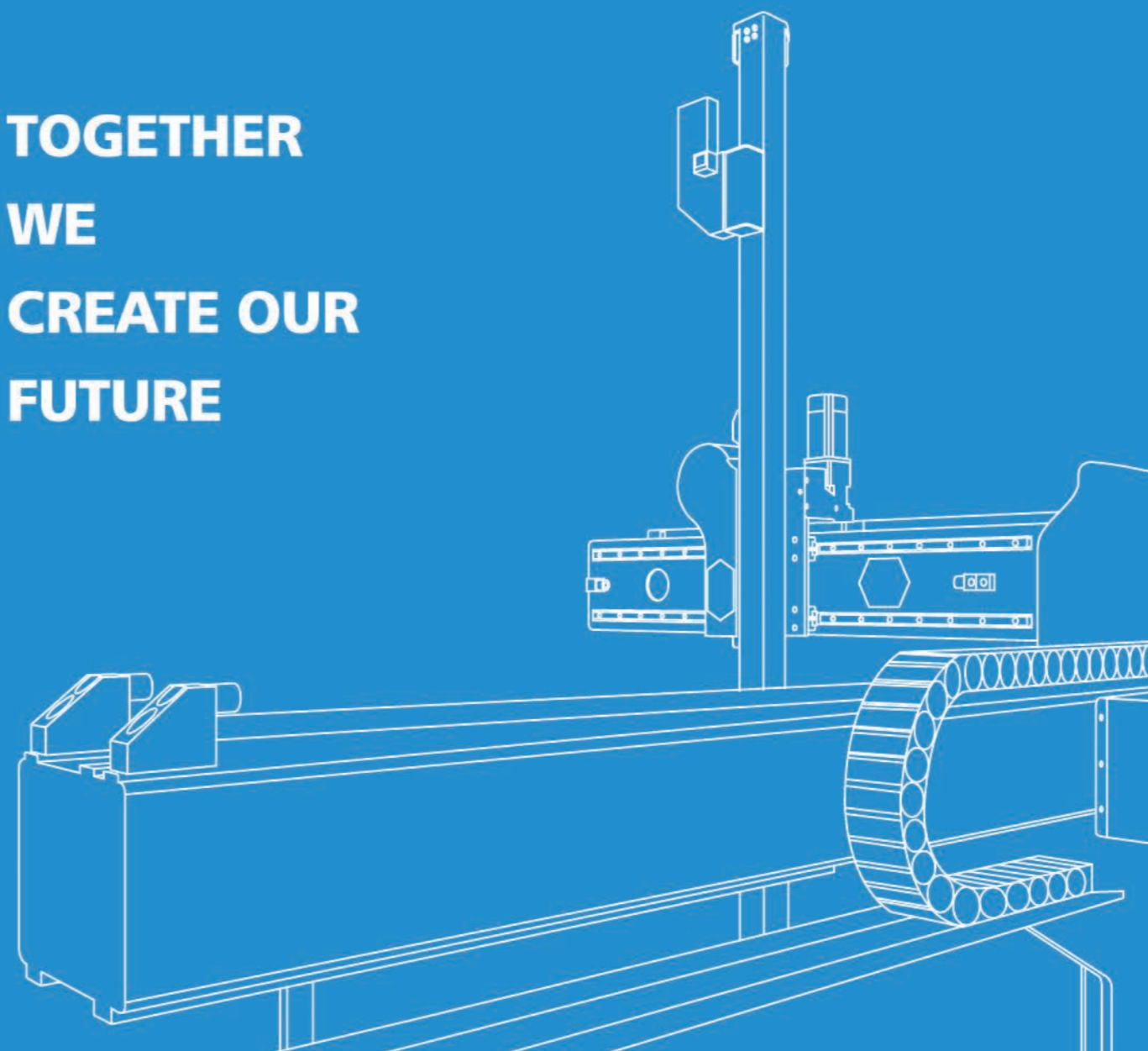
IML SYSTEM  
CUTLERY AUTOMATION  
PIPE FITTING AUTOMATION  
AUTOMOBILE AUTOMATION  
INSERT MOLDING AUTOMATION  
MEDICAL AUTOMATION

东莞市思为客自动化科技股份有限公司  
SWITEK TECHNOLOGY AUTOMATION CO.,LTD.

地址: 东莞市茶山镇塘边南围工业区  
Add: Nanwei Industrial District Chashan Town Dongguan City Guangdong Province China  
Tel: 0769-81859015 Fax: 0769-81859017  
E-mail: switek@switek.com.cn www.switek.com.cn

若您希望拥有更高的工作效率与经济效益，同时提升生产灵活性，思为客机械手就是最好的选择。

如需了解更多信息，请访问思为客官方网站或致电详询。  
If you want to have a higher work efficiency and economic benefits, at the same time improve production flexibility, SWITEK robot is the best choice. For more information, please login our official website or call for enquiry.



## CONTENTS

### 目录

- 02 | 企业简介  
COMPANY PROFILES
- 04 | 机械手选型导引  
SELECTION GUIDE OF ROBOT
- 06 | 高速模内贴标系统  
SW8 IML SYSTEM
- 08 | 高速两轴伺服机械手  
SW3210 HIGH SPEED TWO AXIS SERVO ROBOT
- 10 | 高速三轴机械手  
SW6610 HIGH SPEED THREE AXIS SERVO ROBOT
- 12 | 三轴伺服单截超高速机械手  
SW71 HIGH SPEED THREE AXIS SERVO ROBOT
- 14 | 高速侧取式机械手  
SW812 HIGH SPEED SIDE-ENTRY ROBOT
- 16 | 三轴伺服双截机械手  
SW77 THREE AXIS SERVO ROBOT
- 18 | 三轴伺服双截机械手  
SW75 THREE AXIS SERVO ROBOT
- 20 | 三轴伺服双截机械手  
SW73 THREE AXIS SERVO ROBOT
- 22 | 三/五轴伺服机械手  
SW67 THREE/FIVE AXIS SERVO ROBO
- 24 | 三/五轴伺服机械手  
SW63 THREE /FIVE AXIS SERVO ROBOT
- 26 | 两轴伺服机械手  
SW52 TWO AXIS SERVO ROBOT
- 28 | 单轴伺服机械手  
SW51 SINGLE AXIS SERVO ROBOT
- 30 | 两轴伺服机械手  
SW32 TWO AXIS SERVO ROBOT
- 32 | 单轴伺服机械手  
SW31 SINGLE AXIS SERVO ROBOT
- 34 | 旋臂式机械手  
SW2 SPRUE PICKER
- 35 | 企业合作伙伴  
BUSINESS PARTNER

# ABOUT SWITEK

## 关于思为客

思为客致力于日用品、汽车、家电、包装、电子等行业机械手的研发并提供量身定制的自动化解决方案。

在过去的发展年间，思为客全面汲取国内外优质客户之经验，从制造机械手及专用控制系统的应用，开发机械手与接口设备，到协助客户进行自动化生产整厂的设计与规划，思为客始终致力于为顾客创造价值，以及提供持续性的服务和维护。通过在自动化领域持续不断的创新，以及深化合作伙伴的双赢关系，思为客愿与创造者共享无限生机的未来。

SWITEK specializes in industrial robot arm and automation solution for different industrial field such as commodity, automobile, automotive, household appliances, packaging and electronic etc...

SWITEK devote to create the value for customer all the time, works from industrial robot arm, application of control system, device of after-works from robot taking out, to fully automation for the whole factory planning. Through the continuously innovation in different industry and deepen cooperation with partners, SWITEK success to "Create a Bright Future With Customer".

# TOGETHER, WE CREATE OUR FUTURE

- 思为客为著名的中国乳品制造商提供生产包装解决方案  
SWITEK provides packaging system to the famous dairy manufacturers.
- 广东省守合同重信用企业  
Guangdong Province Enterprise of Observing Contract and Valuing Credit.
- 国内第一家模内贴标核心技术的研发  
We are the first developer in IML technology in China.
- 已通过CE, ISO9001质量管理体系认证  
Through CE, ISO9001 quality management system certification
- 国内第一家实现刀叉勺一体化包装自动化的生产厂家  
We are the first developer realize the automatic integration of cutlery packaging in China.
- 民营科技企业  
Privately-Owned High-Tech Enterprise
- 国内第一家64穴侧取式折叠叉取出厂家  
We are the first developer realize the folding forks automation system with 64 cavities Mould.
- 高新技术企业  
New High-Tech Enterprise
- 荣获国内36项实用新型专利证书  
Have the honour to win 36 domestic patents.





# SW8

## IN-MOULD LABELING SYSTEM 高速模内贴标系统



### 更高速 Higher speed

最快时间只需3秒以内即可完成整个贴标、取出、排列等生产周期。  
Less than 3 second finish the whole cycle,include labelling,take out, arrangement.



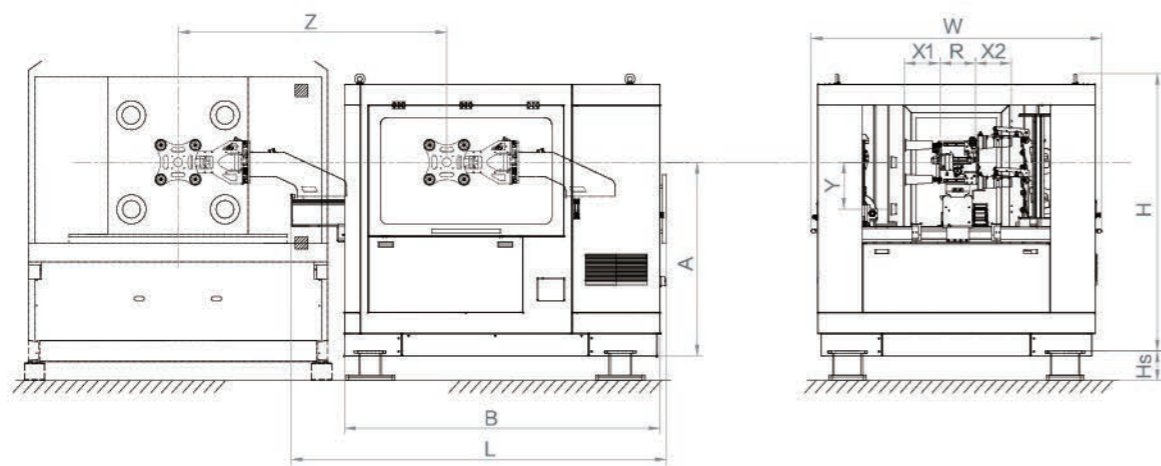
### 更稳定 Higher reliability

掉标率仅为千分之二。  
Defective rate is less than 0.2%.



### 更环保 More environmentally friendly

一体成型效果永久，精美印刷，具环保材质，产品附加值更高。  
Permanent shaping effect, printing more attractive,with environmental protection-material,producys high additional value.



### 产品参数 Product parameters

Model/机型	X1	X2	Y	Z	L	W	A	B	H
SW830	90	90	500	1700	2510	1700	1300	2180	1770
SW833	90	90	500	1700	2430	1700	1260	2080	1770
SW840	40	40	800	1700	2370	1300	1270	1880	1820
SW850	450	450	400	2300	2840	2200	1400	2580	1920

### 灵活的卡匣堆叠设计

Flexible design of Cassette

卡匣，堆叠系统方向灵活，支持快捷转换。  
Flexible direction of cassette and stack system,supports fast conversion.

### 机械结构设计（模块化、轻量化）

Mechanical structure design [modularity.lightweight]

机械结构设计经过有限元受力分析等措施，保证各标准件使用寿命长，运行稳定，机械结构设计最合理，设备性能最优化，为整套设备的稳定高效运行提供强有力技术保障。

The mechanical structure design through the finite element stress analysis and other measures,eusure the hardware have a long life time,the most reasonable running stability and mechanical structure design equipment performance optimization, stable and efficient operation of the whole equipment to provide strong technical safety.



Satisfies your demand for mass production



### 全开放式模块化设计 Full open modular design

全开放式简洁布局及模块化设计便于维护，正反向安装变更更加方便，治具采用便挂式组装，更具人性化处理，真空负压值在线实时监测。

Full open concise layout and modular design for easy to maintain, forward and reversal installation are interchangeable, fixtures use hanging assembly with the more human-centered treatment.

### 双轴AC伺服 Double-axe AC servo

双轴AC伺服闭环控制加气动机构，教导式自由编辑程式操作便利，为多语种菜单式真彩触摸屏操作界面。

Double-axe AC servo closed-loop style control+pneumatic mechanism, instructive free edition program style, convenient operation multi-language menu style true color touch screen operation interface.

### 铝合金剂型结构设计 Aluminum alloy section material structural design

一体成型铝型材工艺。  
Integrated shaping aluminum section material craft & technology.

The most economic and reasonable manipulator, ready for you

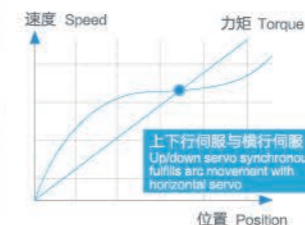
# SW3210

## HIGH SPEED TWO AXIS SERVO ROBOT 高速两轴伺服机械手

### 上下行伺服 Up/down servo

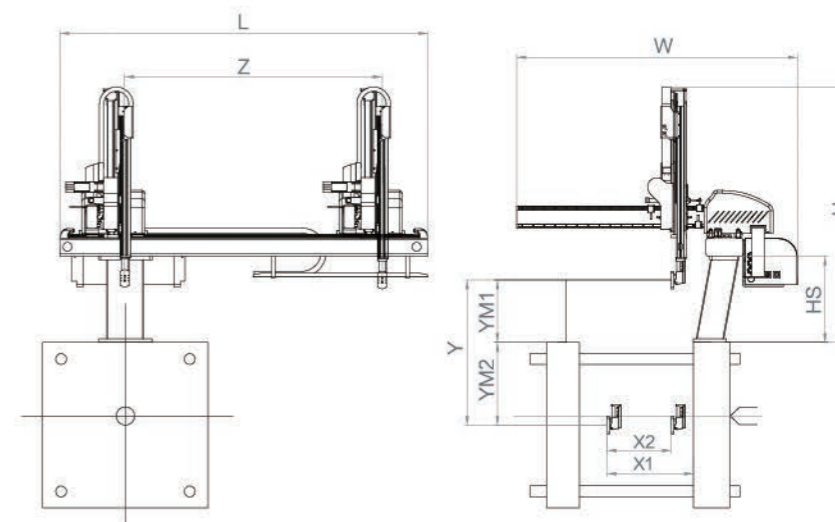
采用上下伺服与横行伺服同步到达弧线运动，结合模内下行待机等功能，生产周期短，同时具备三轴简易码垛等特点。

Up/down servo synchronously fulfills arc movement with horizontal servo, it combines with in mold down standby functions etc, with short production cycle, meanwhile it features as three axle simple and convenient stacking etc.



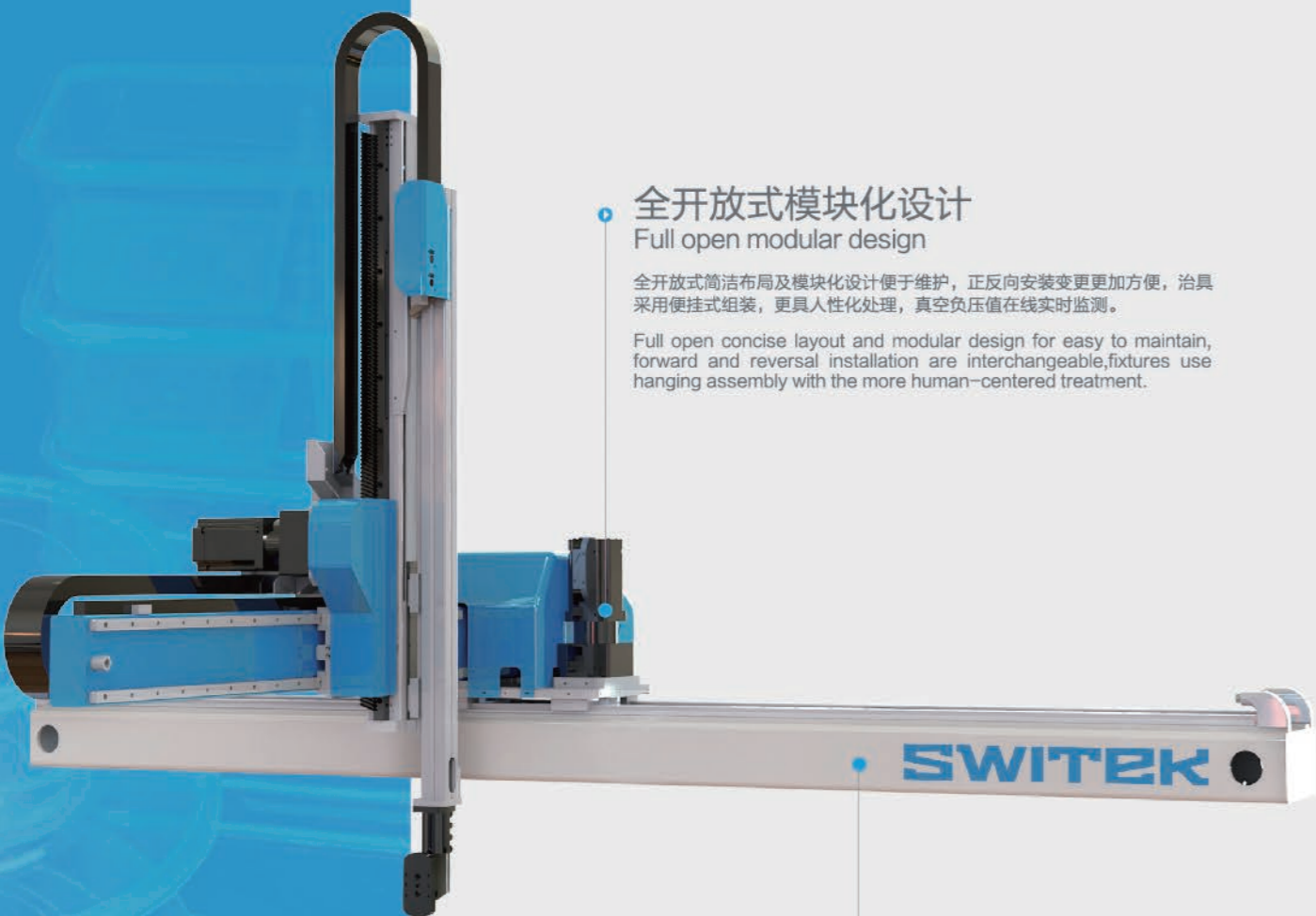
手臂伺服配置适用于高速上下快速移动之结构上，为您提供更大便利。Arm servo configuration is suitable for high speed up and down, it offers great convenience for you.

-   
 稳定 Stability  
产品质量 of product quality
-   
 提高 Enhance  
生产效率 productivity
-   
 降低 Reduces  
废品率 scrap
-   
 降低 Reduces  
生产成本 production cost



### 产品参数 Product parameters

机型	主臂最远位置 X1	主臂引拔行程 X2	副臂最远位置 X3	副臂引拔行程 X4	副臂最近位置 X5	手臂上下行程 Y	待机高度 YM1	安装面下行长度 YM2	机器宽度 W	机器长度 L	横行行程 Z	机器高度 H	底座高度 Hs	负载 Payload	适应注塑机 I.M.M
SW3208DSG	760	200	/	/	/	1000	350	450	1527	2300	1700	1560	470	2	50-200T
SW3210DSG	760	200	/	/	/	1000	420	580	1527	2300	1700	1560	570	2	200-400T



### 全开放式模块化设计 Full open modular design

全开放式简洁布局及模块化设计便于维护，正反向安装变更更加方便，治具采用便挂式组装，更具人性化处理，真空负压值在线实时监测。

Full open concise layout and modular design for easy to maintain, forward and reversal installation are interchangeable, fixtures use hanging assembly with the more human-centered treatment.

### 铝合金剂型结构设计 Aluminum alloy section material structural design

一体成型铝型材工艺。  
Integrated shaping aluminum section material craft & technology.

The most economic and reasonable robot, ready for you

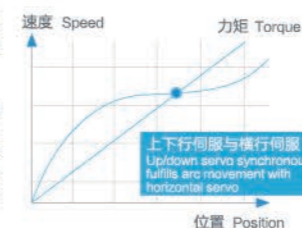
# SW6610

## HIGH SPEED THREE AXIS SERVO ROBOT 高速三轴机械手

### 上下行伺服 Up/down servo

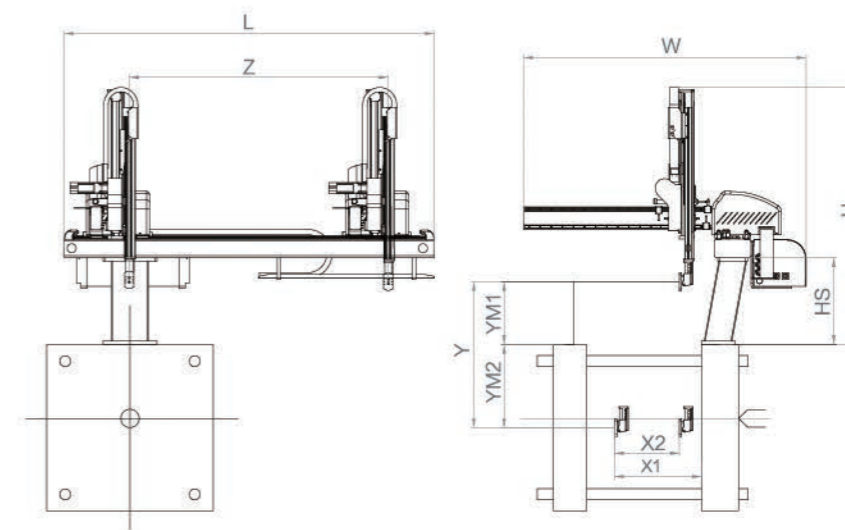
采用上下伺服与横行伺服同步到达弧线运动，结合模内下行待机等功能，生产周期短，同时具备三轴简易码垛等特点。

Up/down servo synchronously fulfills arc movement with horizontal servo, it combines with in mold down standby functions etc, with short production cycle, meanwhile it features as three axle simple and convenient stacking etc.



手臂伺服配置适用于高速上下快速移动之结构上，为您提供更大便利。Arm servo configuration is suitable for high speed up and down, it offers great convenience for you.

-   
 稳定 Stability  
产品质量 of product quality
-   
 提高 Enhance  
生产效率 productivity
-   
 降低 Reduces  
废品率 scrap
-   
 降低 Reduces  
生产成本 production cost



### 产品参数 Product parameters

机型	主臂最远位置	主臂引拔行程	副臂最远位置	副臂引拔行程	副臂最近位置	手臂上下行程	待机高度	安装面下行长度	机器宽度	机器长度	横行行程	机器高度	底座高度	负载	适应注塑机
	X1	X2	X3	X4	X5	Y	YM1	YM2	W	L	Z	H	Hs	Payload	I.M.M
SW6608DSG	760	700	/	/	/	1000	350	450	1527	2300	1700	1560	470	2	50-200T
SW6610DSG	760	700	/	/	/	1000	420	580	1527	2300	1700	1560	570	2	200-400T

数显可视化强  
Digital display

设置方便全程监控。  
Full course monitor with convenient setting.

高惯量全轴AC伺服驱动  
High inertia full axle AC servo drive

全闭环式控制保证机器运动精度及可靠性, 教导式自由编辑程式操作便利, 为多种语种菜单式真彩触摸屏操作界面。

Fully closed loop style control ensures machine movement with accuracy and reliability, instructive free edition programming style is convenient in operation, it offers multilanguage menu style true color touch screen operation interface.

高精度传动机构  
High accuracy transmission mechanism

高精度滑轨配合精密齿轮传动机构以实现低震动高速运动, 确保机构低噪音超高速等特点。

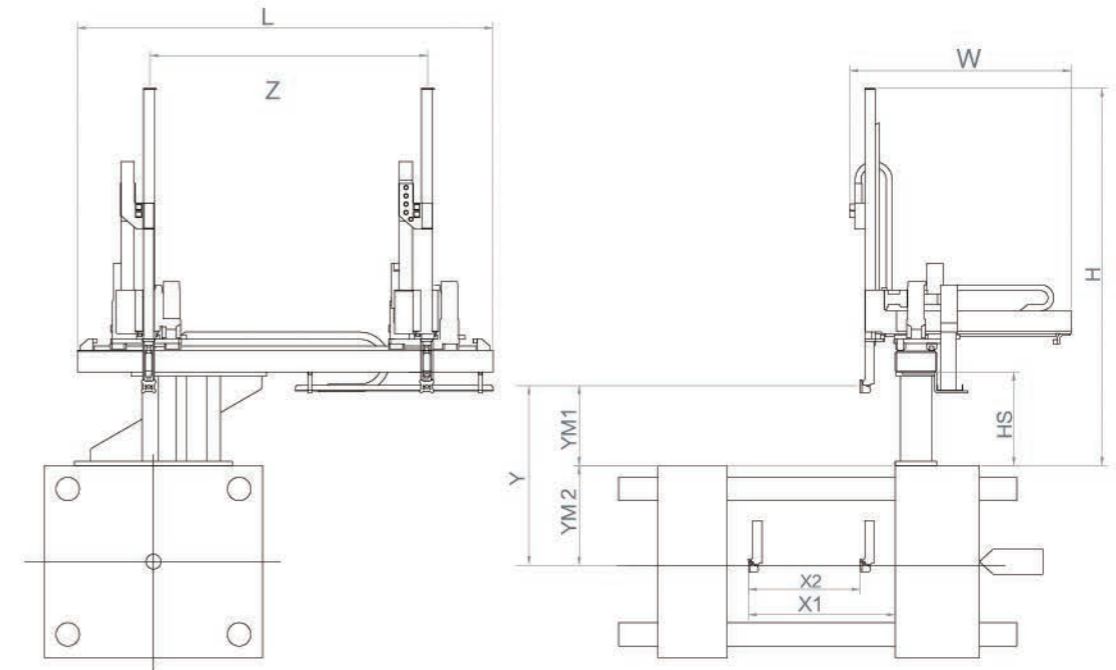
High precision slide-rail matches with precision gear transmission mechanism to fulfill low vibration high speed movement, it features as low noise, super high speed etc.

The more secure structural design

# SW71

## HIGH SPEED THREE AXIS SERVO ROBOT

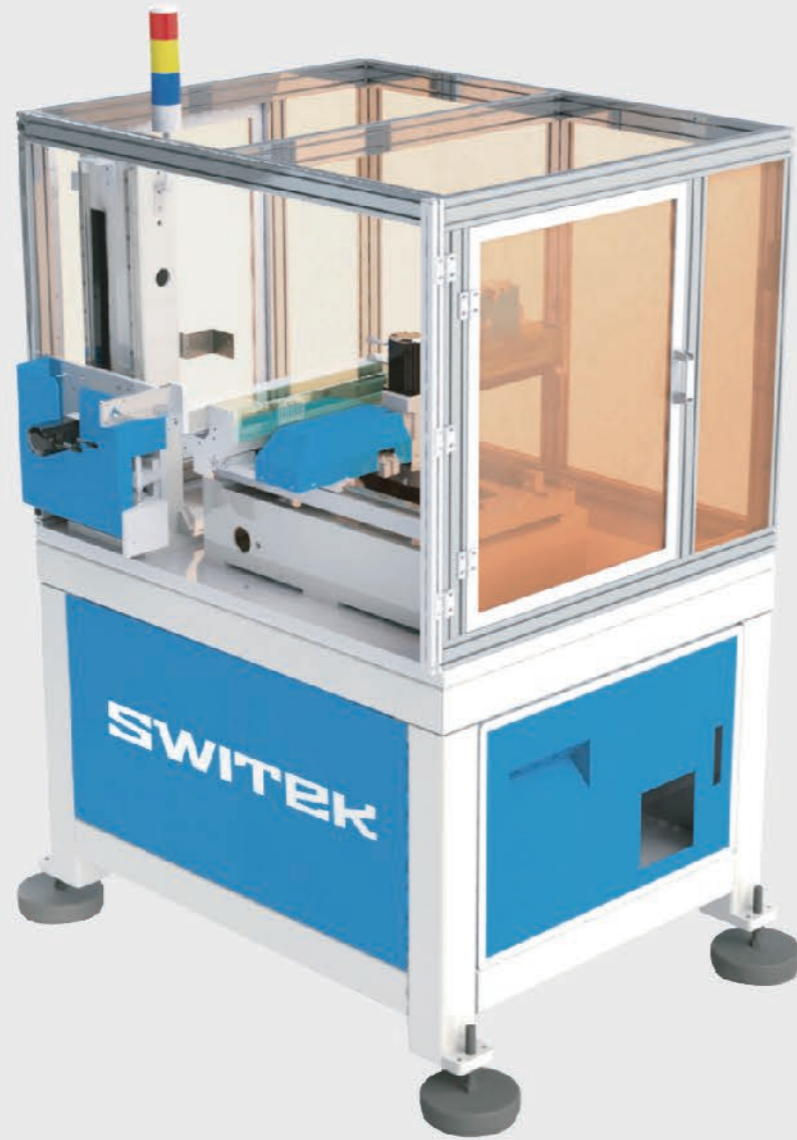
三轴伺服单截超高速机械手



产品参数 Product parameters

机型	主臂最远位置	主臂引拔行程	副臂最远位置	副臂引拔行程	副臂最近位置	手臂上下行程	待机高度	安装面下行长度	机器宽度	机器长度	横行行程	机器高度	底座高度	负载	适应注塑机
	X1	X2	X3	X4	X5	Y	YM1	YM2	W	L	Z	H	Hs	Payload	I.M.M
SW7110S	620	450	/	/	/	1000	380	620	1065	2000	1400	1920	450	5	50-350T

专为快速取出薄壁产品  
Designed for quick take out of thin-walled products



Fast robot of Imaginative

# SW812

## HIGH SPEED SIDE-ENTRY ROBOT 高速侧取式机械手

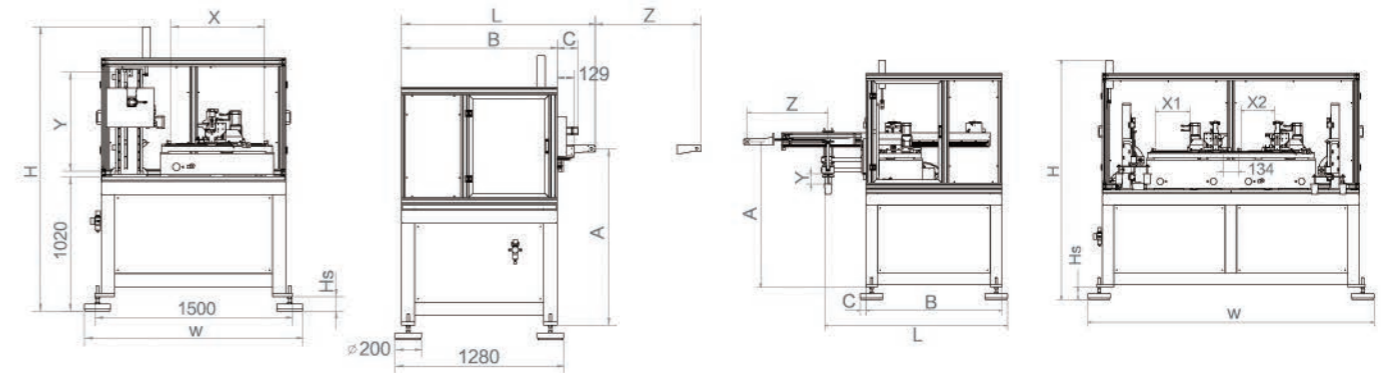
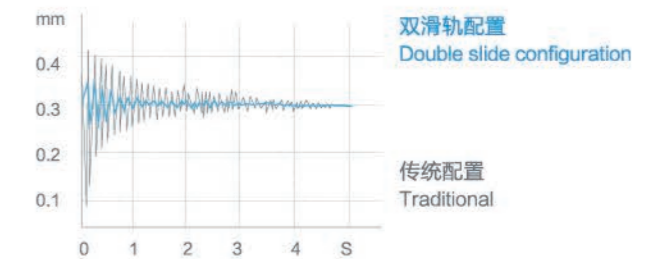


双滑轨配置  
Double slide configuration

手臂倍速机构且上端采用双滑轨配置使手臂强度更强抖动性小, 拖链下置不易断, 配合注塑模具, 可使配合精度达到  $\pm 0.01$ , 非常适合嵌件埋入。  
It makes the arm stronger and strength, drag chain with drape type sturture, ensure the long life time of drag chain and  $\pm 0.01$  position accuracy suitable for insert molding.



双滑轨配置抖动性与传统相比  
Compared with the traditional



▶ 产品参数 Product parameters

机型	主臂最远位置	主臂引拔行程	副臂最远位置	副臂引拔行程	副臂最近位置	手臂上下行程	待机高度	安装面下行长度	机器宽度	机器长度	横行行程	机器高度	底座高度	负载	适应注塑机
	X1	X2	X3	X4	X5	Y	YM1	YM2	W	L	Z	H	Hs	Payload	I.M.M
SW812DS	/	200	/	/	/	1200	/	/	1000	1350	/	2160	/	3	150-270T
SW814DS	/	200	/	/	/	1400	/	/	1180	1500	/	2160	/	3	150-400T
SW812D	/	200	/	200	/	1200	/	/	1020	2220	/	2370	/	3	150-270T
SW814D	/	200	/	200	/	1400	/	/	1200	2370	/	2370	/	3	150-400T

# SW77

## THREE AXES SERVO ROBOT

### 三轴伺服双截机械手



**大负载 Heavy load**  
超大的负重能力，满足不同的生产需求。  
Large load-bearing capacity, fulfill different product requirement.



**精密性齿轮传动机构**  
Precision gear transmission mechanism



低噪音  
Low Noise



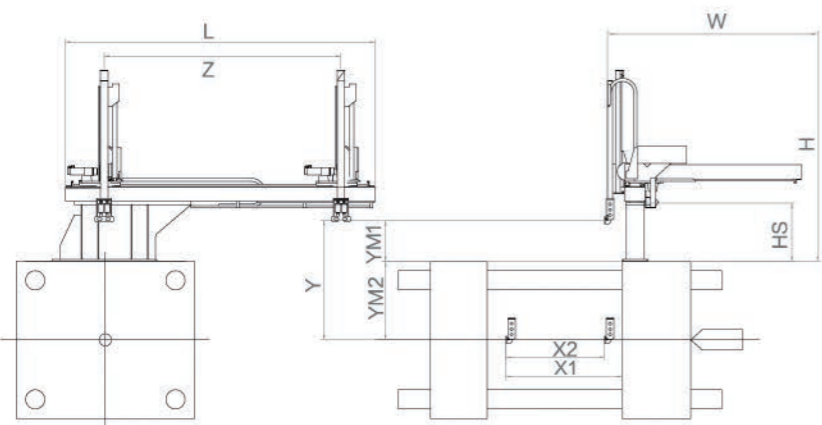
超高速  
High Speed



高精度  
High Precision



低震动  
Low Vibration



▶ 产品参数 Product parameters

机型	主臂最远位置	主臂引拔行程	副臂最远位置	副臂引拔行程	副臂最近位置	手臂上下行程	待机高度	安装面下行长度	机器宽度	机器长度	横行行程	机器高度	底座高度	负载	适应注塑机
	X1	X2	X3	X4	X5	Y	YM1	YM2	W	L	Z	H	Hs	Payload	I.M.M
SW7722DS	2250	1720	/	/	/	2200	680	1520	3000	5050	4000	2980	850	50	800-2800T
SW7725DS	2250	1720	/	/	/	2500	730	1770	3000	5050	4000	3210	900	50	1000-3000T
SW7730DS	2250	1720	/	/	/	3000	780	2220	3000	5050	4000	3260	950	75	1400-4000T

全轴AC伺服  
Full axial AC servo

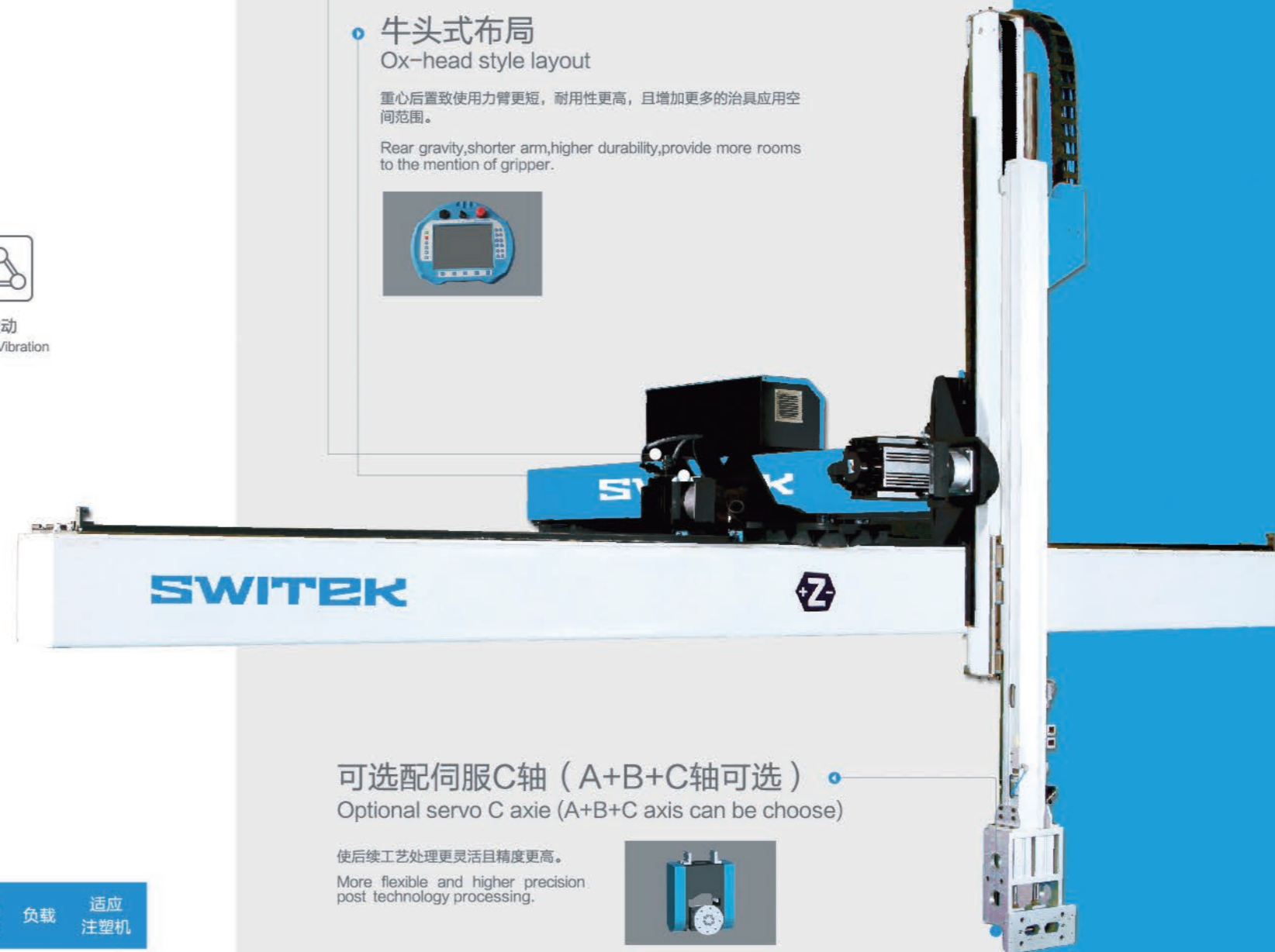
全闭环式操控保证机器运动精度及可靠性，教导式自由编辑程式操作便利，为多语种菜单式真彩触摸屏操作界面。

Fully closed-loop style control ensures an accuracy and reliability of machine's motion, instructive style free edition program is convenient in operation, it offers multi-language menu style true color touch screen operation interface.

牛头式布局  
Ox-head style layout

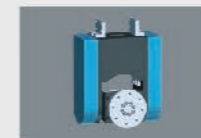
重心后置致使用力臂更短，耐用性更高，且增加更多的治具应用空间范围。

Rear gravity, shorter arm, higher durability, provide more rooms to the mention of gripper.



可选配伺服C轴（A+B+C轴可选）  
Optional servo C axis (A+B+C axis can be choose)

使后续工艺处理更灵活且精度更高。  
More flexible and higher precision post technology processing.



High precision products are made by SWITEK.

# SW75

## THREE AXIS SERVO ROBOT

三轴伺服双截机械手



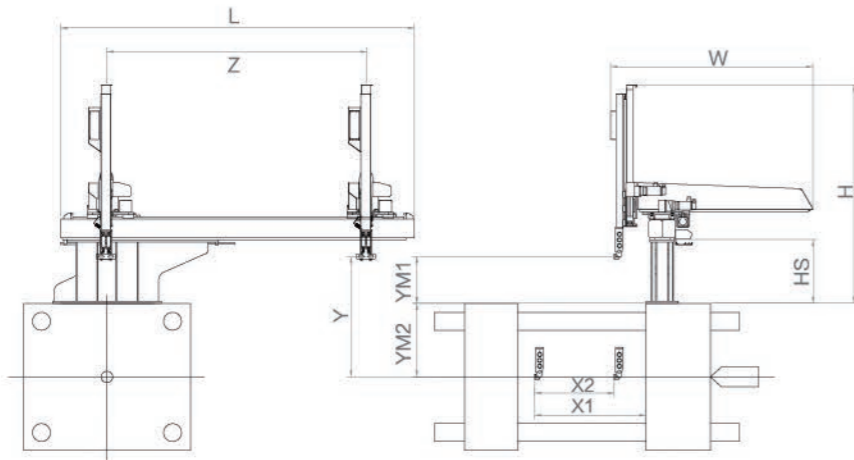
精密线性滑轨  
Precision linear guideway



铝合金挤型手臂  
Aluminum alloy type arm



全开放式模块化设计  
All open modular design



产品参数 Product parameters

机型	主臂最远位置	主臂引拔行程	副臂最远位置	副臂引拔行程	副臂最近位置	手臂上下行程	待机高度	安装面下行长度	机器宽度	机器长度	横行行程	机器高度	底座高度	负载	适应注塑机
	X1	X2	X3	X4	X5	Y	YM1	YM2	W	L	Z	H	Hs	Payload	I.M.M
SW7518DS	1785	1320	/	/	/	1800	500	1300	2480	4110	3120	2490	700	15	500-1300T

横梁型钢加焊扁铁工艺  
Beam steel add welding slab

横梁型钢加焊扁铁工艺,增加滑轨安装面的精度,锁紧力及强度。  
Beam steel add welding slab,increase the slide rail to install the precision,locking force and intensity.

牛头式布局  
Ox-head style layout

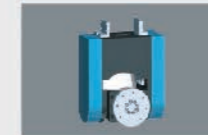
重心后置使用力臂更短,耐用性更高,且增加更多的治具应用空间范围。  
Rear gravity,shorter arm,higher durability,provide more rooms to the mention of gripper.

引拔一体化设计  
Crosswise integrated design

引拔和电箱完美结合,电箱内置于引拔内。  
Perfect combination and electrical box,electrical box under pull in crosswise.

可选配伺服C轴 (A+B+C轴可选)  
Optional servo C axis (A+B+C axis can be choose)

使后续工艺处理更灵活且精度更高。  
More flexible and higher precision post technology processing.



Wins deep trust from vast clients  
Because of its stable properties



# SW73

## THREE AXIS SERVO ROBOT 三轴伺服双截机械手

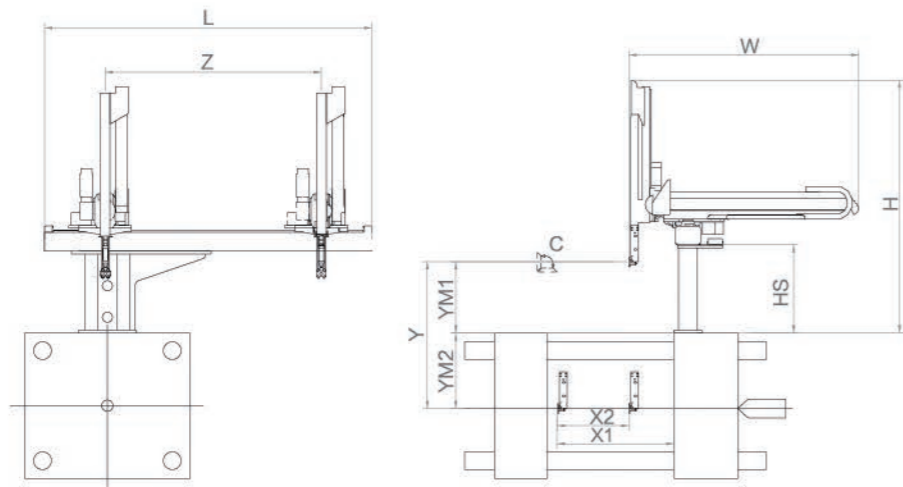
 牛头式布局与传统治具应用空间范围比较  
Compare



治具的应用空间范围  
Gripper operation space

 全开放式模块化设计  
All open modular design

全开放式简洁布局及模块化设计便于维护，正反向安装变更更加方便，治具采用便挂式组装，更具人性化处理。  
Full open concise layout and modular design for easy to maintain, forward and reversal installation are interchangeable, fixtures use hanging assembly with the more human-centered treatment.



### 产品参数 Product parameters

机型	主臂最远位置	主臂引拔行程	副臂最远位置	副臂引拔行程	副臂最近位置	手臂上下行程	待机高度	安装面下行长度	机器宽度	机器长度	横行行程	机器高度	底座高度	负载	适应注塑机
	X1	X2	X3	X4	X5	Y	YM1	YM2	W	L	Z	H	Hs	Payload	I.M.M
SW7312DS 1020	730	/	/	/	/	1200	450	750	1660	2600	1700	2110	600	5	350-650T

### 牛头式布局 Ox-head style layout

重心后置使用力臂更短，耐用性更高，且增加更多的治具应用空间范围。  
Rear gravity, shorter arm, higher durability, provide more rooms to the mention of gripper.



Unique design and application

# SW67

## THREE/FIVE AXIS SERVO ROBOT

### 三/五轴伺服机械手



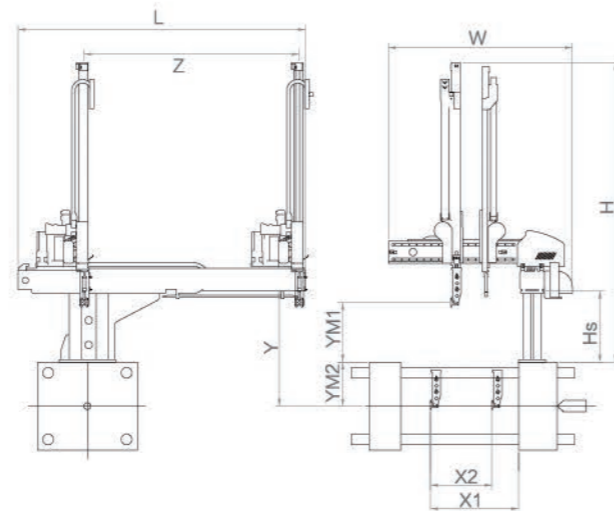
**高精度传动机构**  
High accuracy transmission mechanism  
高精度滑轨配合精密齿轮传动机构以实现低震动高速运动，确保机构低噪音超高速等特点。  
High precision slide-rail matches with precision gear transmission mechanism to fulfill low vibration high speed movement, it features as low noise, super high speed etc.



**全开放式模块化设计**  
Full open modular design  
全开放式简介布局及模块化设计便于维护，正反向安装变更更加方便，治具采用便挂式组装，根据人性化处理。  
Full open concise layout and modular design for easy to maintain, forward and reversal installation are interchangeable, fixtures use hanging assembly with the more human-centered treatment.



**欧洲概念设计**  
European concept design  
精巧严谨的结构，运转顺畅、快速、平稳。  
Contraption, high speed, stable.



产品参数 Product parameters

机型	主臂最远位置	主臂引拔行程	副臂最远位置	副臂引拔行程	副臂最近位置	手臂上下行程	待机高度	安装面下行长度	机器宽度	机器长度	横行行程	机器高度	底座高度	负载	适应注塑机
	X1	X2	X3	X4	X5	Y	YM1	YM2	W	L	Z	H	Hs	Payload	I.M.M
SW6710DS	900	750	/	/	/	1000	480	520	1690	2340	1700	1920	620	8	200-400T
SW6710S	900	750	/	/	/	1000	420	580	1690	2340	1750	2320	580	8	200-400T
SW6712DS	900	750	/	/	/	1200	420	780	1690	2340	1700	2040	620	8	350-650T
SW6712S	900	750	/	/	/	1200	420	780	1690	2340	1750	2460	580	8	350-650T
SW6715DS	1400	1150	/	/	/	1500	480	1020	2350	3120	2500	2400	700	15	650-1000T
SW6715S	1400	1200	/	/	/	1500	600	900	1900	3120	2500	2650	700	8	650-1000T

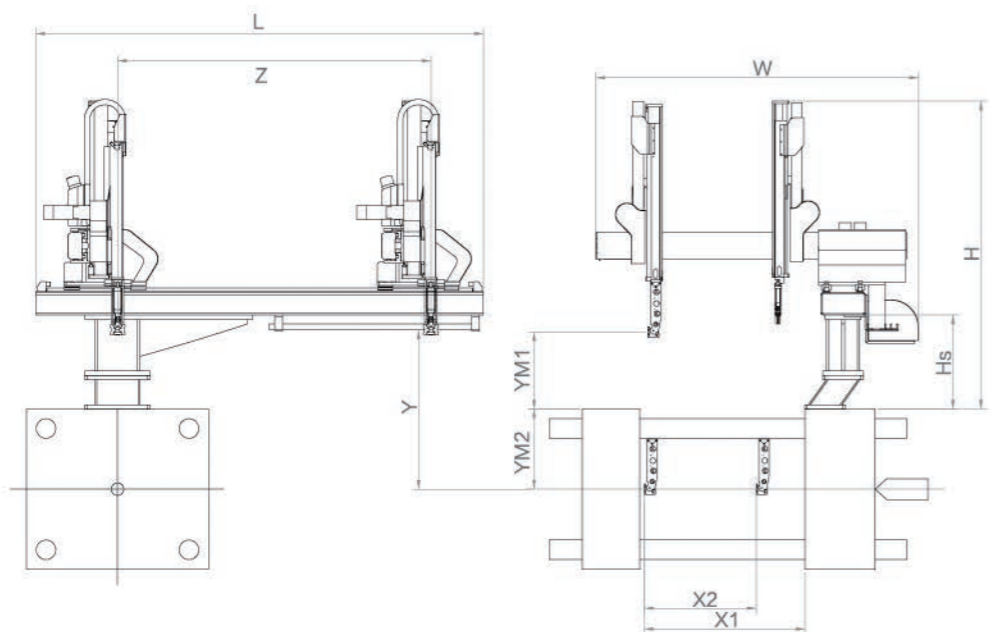


European concept and outstanding design

# SW63

## THREE /FIVE AXIS SERVO ROBOT 三/五轴伺服机械手

主横梁、铝合金挤型手臂、引拔梁、线性滑轨、皮带传动  
Main beam, Aluminum alloy type arm, Crosswise, Linear Guideway, Belt drive



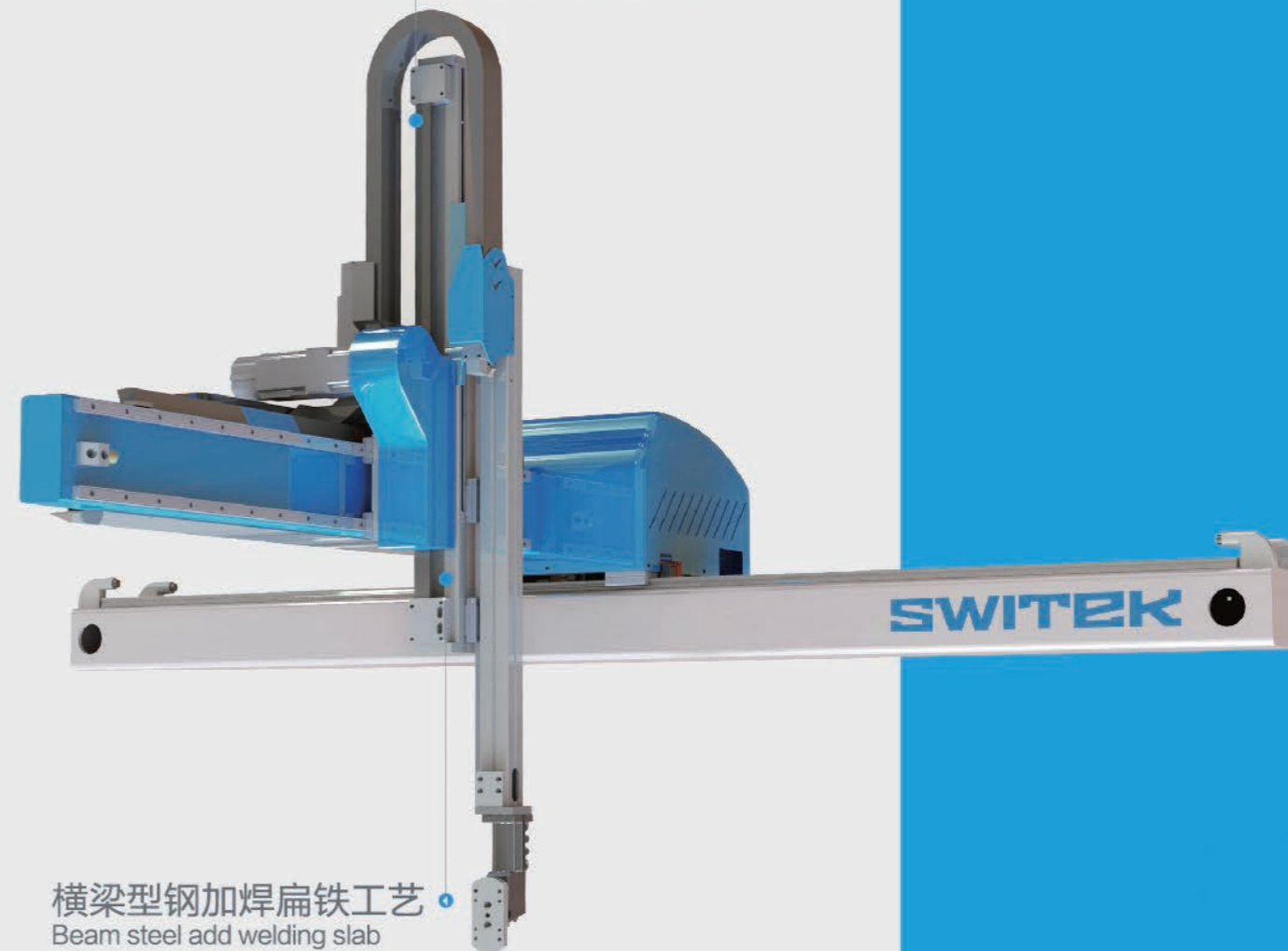
### 产品参数 Product parameters

机型	主臂最远位置	主臂引拔行程	副臂最远位置	副臂引拔行程	副臂最近位置	手臂上下行程	待机高度	安装面下行长度	机器宽度	机器长度	横行行程	机器高度	底座高度	负载	适应注塑机
	X1	X2	X3	X4	X5	Y	YM1	YM2	W	L	Z	H	Hs	Payload	I.M.M
SW6308DS	780	700	/	/	/	800	350	450	1440	2000	1400	1410	490	3	50-200T
SW6308S	780	700	/	/	/	800	350	450	1500	2000	1400	1780	500	3	50-200T
SW6310DS	780	700	/	/	/	1000	350	650	1440	2000	1400	1530	490	3	150-320T
SW6310S	780	700	/	/	/	1000	350	650	1500	2420	1800	2023	520	3	150-320T

### 全开放式模块化设计 Full open modular design

全开放式简洁布局及模块化设计便于维护，正反向安装变更更加方便，治具采用便挂式组装，更具人性化处理。

Full open concise layout and modular design for easy to maintain, forward and maintain, forward and reversal installation are interchangeable, fixtures use hanging assembly with the more human-centered treatment.



### 横梁型钢加焊扁铁工艺 Beam steel add welding slab

横梁型钢加焊扁铁工艺，增加滑轨安装面的精度，锁紧力及强度。

Beam steel add welding slab, increase the slide rail to install the precision, locking force and intensity.

High speed, lightness, efficiency – wisdom choose

# SW52

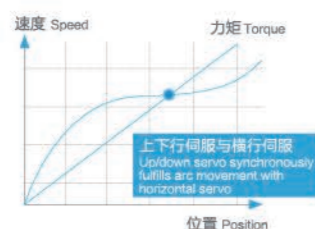
## TWO AXIS SERVO ROBOT

### 两轴伺服机械手

#### 上下行伺服 Up/down servo

采用上下伺服与横行伺服同步到达弧线运动，结合模内下行待机等功能，生产周期短，同时具备三轴简易码垛等特点。

Up/down servo synchronously fulfills arc movement with horizontal servo, it combines with in-mold down standby functions etc, with short production cycle, meanwhile it features as three-axle simple and convenient stacking etc.



手臂伺服配置适用于高速上下快速移动之结构上，为您提供更大便利。  
Arm servo configuration is suitable for high speed up and down, it offers great convenience for you.



稳定 Stability  
产品质量  
of product quality



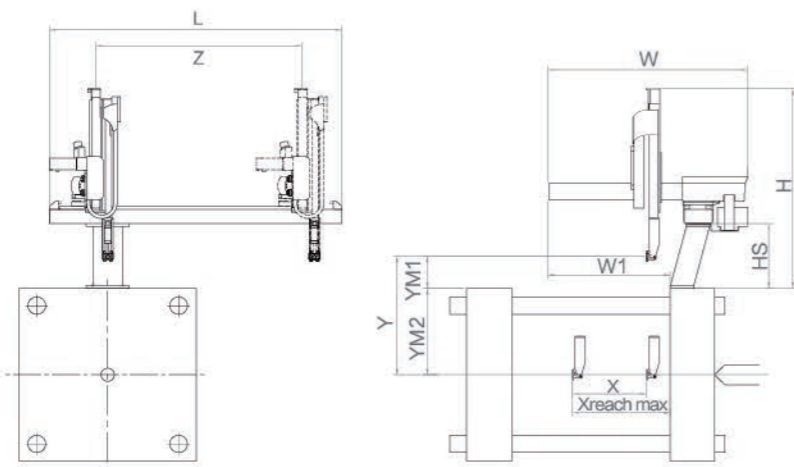
提高 Enhance  
生产效率  
productivity



降低 Reduces  
废品率  
scrap



降低 Reduces  
生产成本  
production cost



#### 产品参数 Product parameters

机型	主臂最远位置	主臂引拔行程	副臂最远位置	副臂引拔行程	副臂最近位置	手臂上下行程	待机高度	安装面下行长度	机器宽度	机器长度	横行行程	机器高度	底座高度	负载	适应注塑机
	X1	X2	X3	X4	X5	Y	YM1	YM2	W	L	Z	H	Hs	Payload	I.M.M
SW5210DS	800	250	/	/	/	1000	300	500	1380	2000	1400	1585	600	5	150-280T
SW5212DS	830	300	/	/	/	1200	370	830	1560	2420	1800	1705	600	5	350-650T

#### 双轴AC伺服 Double-axle AC servo

双轴AC伺服闭环控制加气动机构，教导式自由编辑程式操作便利，为多语种菜单式真彩触摸屏操作界面。

Double-axle AC servo closed-loop style control+pneumatic mechanism, instructive free edition program style, convenient operation multi-language menu style true color touch screen operation interface.

#### 全开放式模块化设计 Full open modular design

全开放式简洁布局及模块化设计便于维护，正反向安装变更更加方便，治具采用便挂式组装，更具人性化处理，真空负压值在线实时监测。

Full open concise layout and modular design for easy to maintain, forward and reversal installation are interchangeable, fixtures use hanging assembly with the more human-centered treatment.



#### 铝合金剂型结构设计

Aluminum alloy section material structural design

一体成型铝型材工艺。

Integrated shaping aluminum section material craft & technology.

The most economic and reasonable manipulator, ready for you

# SW51

## SINGLE AXIS SERVO ROBOT

### 单轴伺服机械手



#### 长寿命 Long life

轻量化的组件，减少对横行的负荷，因此降低机械手的故障频率，实现机械手更长寿命。电磁阀组完全密封，避免油污，粉尘侵蚀，可增加使用寿命。

Light weight assembly reduces horizontal action burden, it thus reduces trouble frequentness of machine hand, it fulfills the longer life of machine hand. Fully sealing of electro-mechanical valve group resists oil stain, dust, it prolongs the service life.



#### 高安全性 Highly secure

电控线路终端配线无空中接头，避免接头腐蚀发生接触不良。手臂下段位置附带检知开关及防落装置，安全性高。

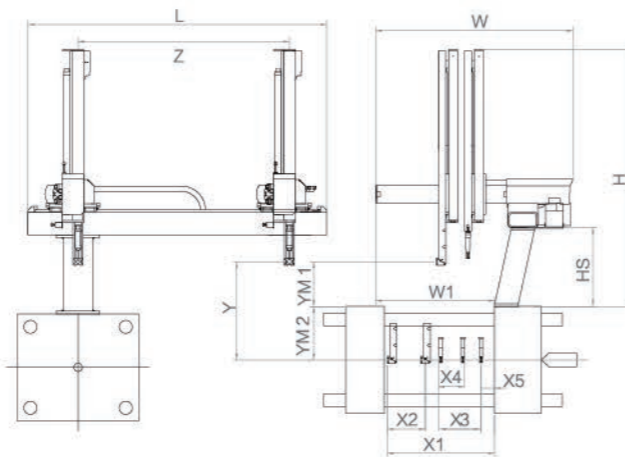
Electric control circuit terminal wiring has no suspended interface, it removes corrosive interface and bad contact. Lower arm has inspection switch and anti-falling device, it is highly secure. stain, dust, it prolongs the service life.



#### 适用性广 Wide application

模外横行可实现多点定位，适应后序不同要求使用。

Out-mold horizontal action can fulfill multipoint positioning, it suits later use with different requirements.



#### 产品参数 Product parameters

机型	主臂最远位置	主臂引拔行程	副臂最远位置	副臂引拔行程	副臂最近位置	手臂上下行程	待机高度	安装面下行长度	机器宽度	机器长度	横行行程	机器高度	底座高度	负载	适应注塑机
	X1	X2	X3	X4	X5	Y	YM1	YM2	W	L	Z	H	Hs	Payload	I.M.M
SW5110D	980	300	500	150	45	1000	350	650	1562	2000	1400	1480	600	5	200-400T
SW5110DS	980	300	/	/	/	1000	370	680	1562	2000	1400	1480	600	5	200-400T
SW5112D	980	300	500	150	45	1200	370	830	1562	2420	1800	1600	600	5	350-550T
SW5112DS	980	300	/	/	/	1200	370	830	1562	2420	1800	1600	600	5	350-550T

#### 单轴AC伺服

Single-axle AC servo

内置单轴AC伺服闭环控制加气机构，教导式自由编辑程式操作便利为多语种，菜单式真彩触摸屏操作界面。

Internal single-axle AC servo closed-loop style control refill mechanism, instructive free edition style, convenient operation, multi-language menu style true color touch screen operation interface.

#### 铝合金剂型结构设计

Aluminum alloy section material structural design

一体成型铝型材工艺。

Integrated shaping aluminum section material craft & technology.



#### 双截式上下行程

Vertical telescopic arm for upper/lower stroke

双截式上下行程，采用倍速机构，速度快适应低厂房设计。

Compact vertical telescopic arm suitable for lower ceiling factory, double the moving speed.

Lightness, stronger, let your system to achieve the best best reliability

# SW32

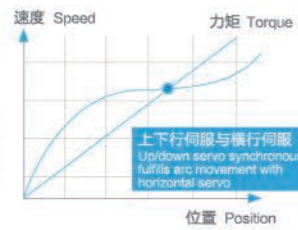
## TWO AXIS SERVO ROBBOT

### 两轴伺服机械手

#### 上下行伺服 Up/down servo

采用上下伺服与横行伺服同步到达弧线运动，结合模内下行待机等功能，生产周期短，同时具备三轴简易码垛等特点。

Up/down servo synchronously fulfills arc movement with horizontal servo, it combines with in-mold down standby functions etc, with short production cycle, meanwhile it features as three-axle simple and convenient stacking etc.



手臂伺服配置适用于高速上下快速移动之结构上，为您提供更大便利。  
Arm servo configuration is suitable for high speed up and down, it offers great convenience for you.



稳定 Stability  
产品质量  
of product quality



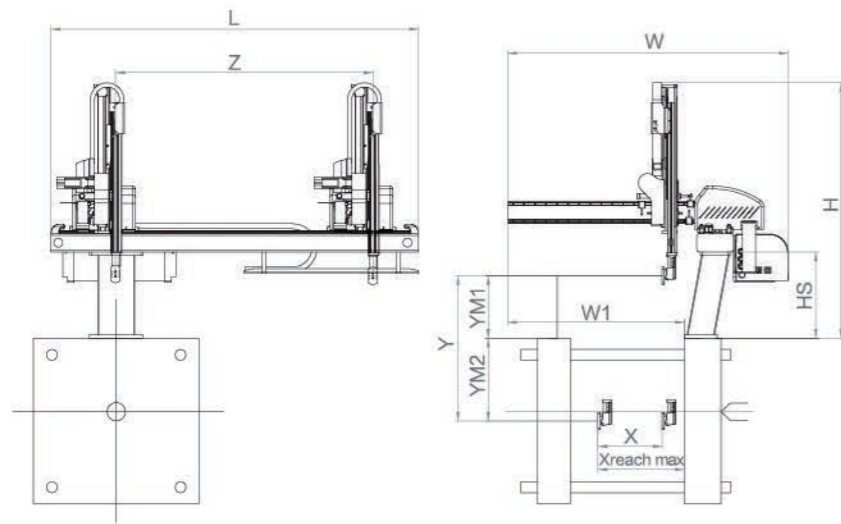
提高 Enhance  
生产效率  
productivity



降低 Reduces  
废品率  
scrap



降低 Reduces  
生产成本  
production cost



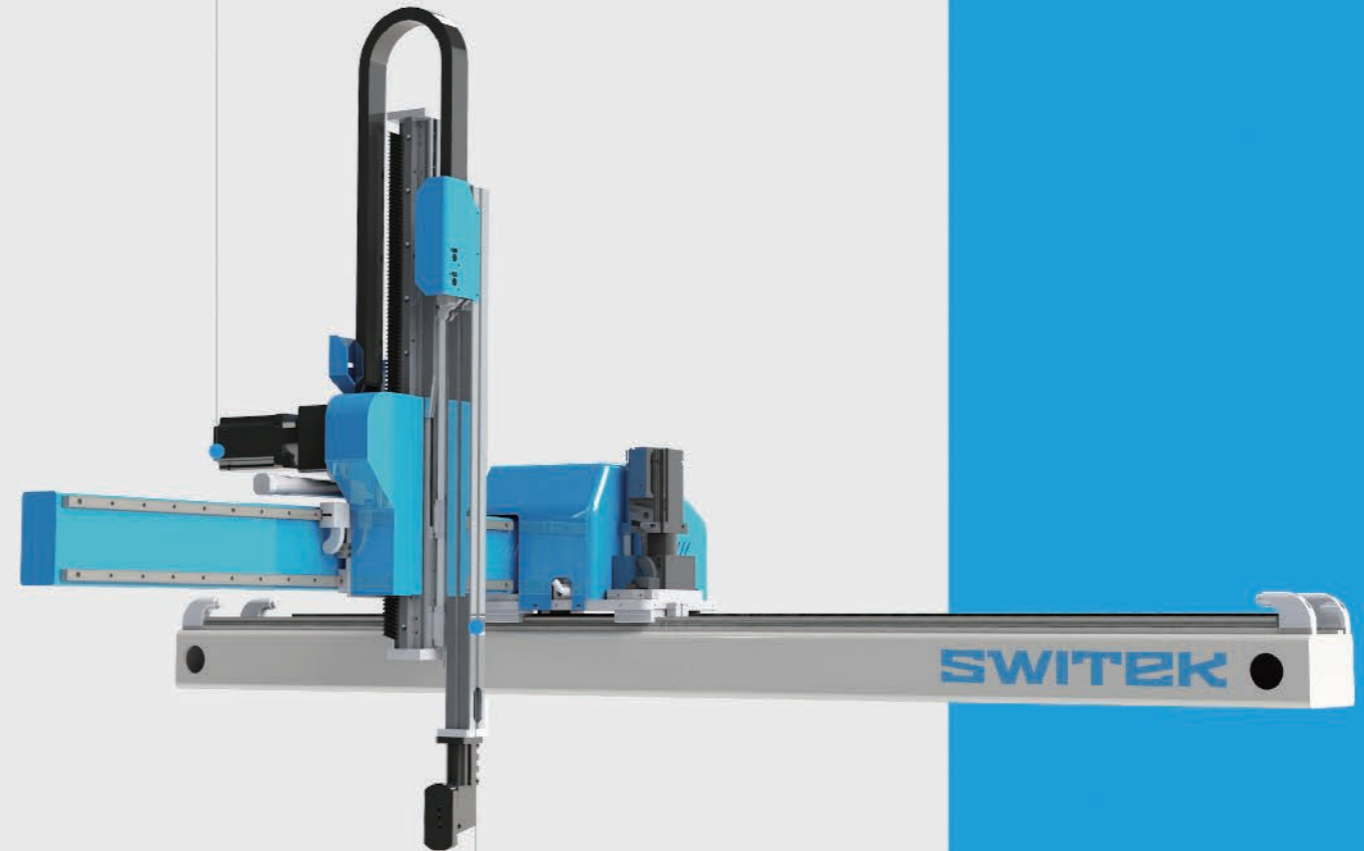
#### 产品参数 Product parameters

机型	主臂最远位置	主臂引拔行程	副臂最远位置	副臂引拔行程	副臂最近位置	手臂上下行程	待机高度	安装面下行长度	机器宽度	机器长度	横行行程	机器高度	底座高度	负载	适应注塑机
	X1	X2	X3	X4	X5	Y	YM1	YM2	W	L	Z	H	Hs	Payload	I.M.M
SW3208DS	700	200	/	/	/	800	340	460	1530	2000	1400	1300	380	3	150-280T

#### 双轴AC伺服 Double-axle AC servo

双轴AC伺服闭环控制加气动机构，教导式自由编辑程式操作便利，为多语种菜单式真彩触摸屏操作界面。

Double-axle AC servo closed-loop style control+pneumatic mechanism, instructive free edition program style, convenient operation multi-language menu style true color touch screen operation interface.



#### 铝合金剂型结构设计 Aluminum alloy section material structural design

一体成型铝型材工艺。  
Integrated shaping aluminum section material craft & technology.

The most economic and reasonable manipulator, ready for you

# SW31

## SINGLE AXIS SERVO ROBOT

### 单轴伺服机械手



#### 长寿命 Long life

轻量化的组件，减少对横行的负荷，因此降低机械手的故障频度，实现机械手更长寿命。电磁阀组完全密封，避免油污，粉尘侵蚀，可增加使用之寿命。

Light weight assembly reduces horizontal action burden, it thus reduces trouble frequentness of machine hand, it fulfills the longer life of machine hand. Fully sealing of electro-mechanical valve group resists oil stain, dust, it prolongs the service life.



#### 高安全性 Highly secure

电控线路终端配线无空中接头，避免接头腐蚀发生接触不良。手臂下段位置附带检知开关及防落装置，安全性高。

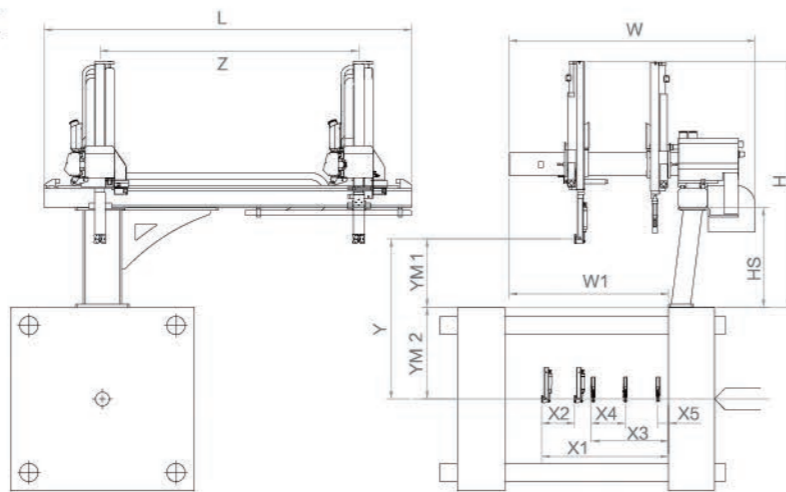
Electric control circuit terminal wiring has no suspended interface, it removes corrosive interface and bad contact. Lower arm has inspection switch and antifalling device, it is highly secure, stain, dust, it prolongs the service life.



#### 适用性广 Wide application

模外横行可实现多点定位，适应后序不同要求使用。

Out-mold horizontal action can fulfill multi-point positioning, it suits later use with different requirements.



#### 产品参数 Product parameters

机型	主臂最远位置	主臂引拔行程	副臂最远位置	副臂引拔行程	副臂最近位置	手臂上下行程	待机高度	安装面下行长度	机器宽度	机器长度	横行行程	机器高度	底座高度	负载	适应注塑机
	X1	X2	X3	X4	X5	Y	YM1	YM2	W	L	Z	H	Hs	Payload	I.M.M
SW3108D	640	150	340	150	50	800	350	450	1290	1820	1280	1380	500	3	50-250T
SW3110D	900	150	600	150	50	1000	380	620	1490	2000	1400	1480	550	3	150-320T

#### 单轴AC伺服

Single-axle AC servo

内置单轴AC伺服闭环控制加气动机构，教导式自由编辑程式操作便利，为多语种菜单式真彩触摸屏操作界面。

Internal single-axle AC servo closed-loop style control refill mechanism, instructive free edition style, convenient operation, multi-language menu style true color touch screen operation interface.

#### 双截式上下行程

Vertical telescopic arm for upper/lower stroke

双截式上下行程，采用倍速机构，速度快适应低厂房设计。

Compact vertical telescopic arm suitable for lower ceiling factory, double the moving speed.



Your best choice of high cost effective

# SW2 SPRUE PICKER

旋臂式机械手



**多程序操作**  
Multiprogramming operating system

内置20种标准化程序，及79组可编程程序  
Built-in 20 kinds of standardization process, and 79 group of programmable program



**采用铸件工艺**  
Using the casting process

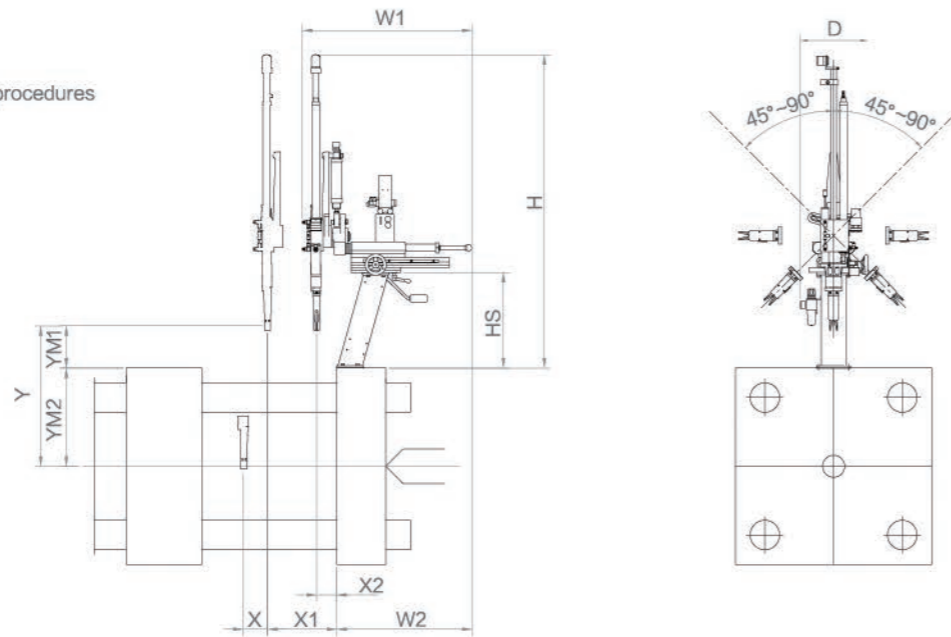
刚性高,吸震性好  
High-rigid, vibration absorption

20  
kinds种

标准化程序  
Standard program

79  
groups组

可编程程序  
Programmable procedures



产品参数 Product parameters

机型	主臂最远位置	主臂引拔行程	副臂最远位置	副臂引拔行程	副臂最近位置	手臂上下行程	待机高度	安装面下行长度	机器宽度	机器长度	横行行程	机器高度	底座高度	负载	适应注塑机
	X1	X2	X3	X4	X5	Y	YM1	YM2	W	L	Z	H	Hs	Payload	I.M.M
SW255C	300	100	/	/	/	545	165	380	670	/	/	1300	390	2	20-150T
SW257C	300	100	/	/	/	695	215	480	670	/	/	1450	440	2	20-150T

**气缸缓冲手臂**  
Cylinder cushion arm

手臂上下采用气缸缓冲，手臂电气全浪管保护，轻巧耐用。

The arm up and down the cylinder cushion, wave pipe protects the electric wire, light and durabl.

**置物方向**  
Direction of rotation

产品前后安全门放置可任意调整，模内对位快速安全。

Before and after the safety door can be arbitrary adjustment,mould para safely and quickly.

**性价比高**  
Cost-effective

性价比高，全气动驱动模式。

High cost performance, fully pneumatic drive mode.



Performance depends on the details

# FOR THE SAKE OF CUSTOMERS IS THE KEY FOR SWITEK WINNING MORE PARTNERS TRUST.

为客户着想是思为客赢得更多伙伴信赖的关键

思为客为合作伙伴提供量身定制的自动化解决方案，以满足为客户创造最大化价值。

SWITEK for partner to provide tailored automation solutions, in order to meet to create maximum value for customers.

## TOGETHER WE , CREATE OUR FUTURE



德国施迈茨  
SCHMALZ



MOTOREDUCER

法国摩多利  
MOTOREDUCER



法国乐可利  
LEGRIS



法国施耐德  
SCNEIDER



德国易格斯  
IGUS



德国费斯托  
FESTO



日本帝业技凯  
THK



日本松下  
PANASONIC



日本NSK  
NSK



意大利意拉泰  
ELATECH



日本黑田精工  
KURODA



日本SMC  
SMC



日本欧姆龙  
OMRON

# CUSTOMERS ALL OVER THE WORLD

